

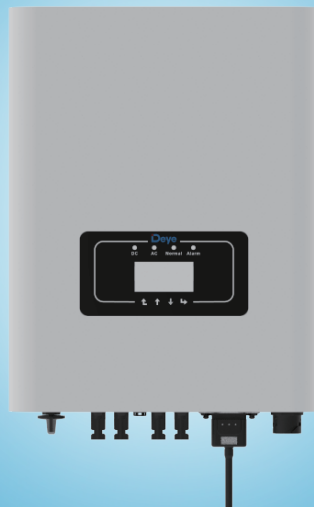


Grid-tied PV String Inverter

SUN-20K-G02

SUN-25K-G02

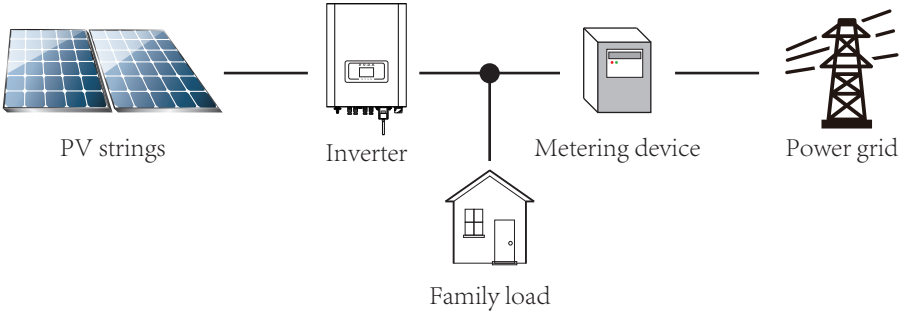
User Manual



Contents

1. Introduction	- 01 -
1.1 Appearance Introduction	- 01 -
1.2 Parts list	- 01 -
2. Safety warnings and instructions	- 02 -
2.1 Safety signs	- 02 -
2.2 Safety instructions	- 03 -
2.3 Notes for using	- 04 -
3. Operation Interface	- 05 -
3.1 Interface View	- 05 -
3.2 Status Indicator	- 05 -
3.3 Buttons	- 06 -
3.4 LCD Display	- 06 -
4. Product installation	- 07 -
4.1 Select installation location	- 07 -
4.2 Inverter Installation	- 09 -
5. Electrical Connection	- 11 -
5.1 DC input terminal connection	- 11 -
5.2 AC input terminal connection	- 14 -
5.3 The connection of the ground line	- 17 -
5.4 Inverter monitoring connection	- 17 -
6. Startup and Shutdown	- 19 -
6.1 Start up the inverter	- 20 -
6.2 Inverter Shutdown	- 20 -
7. Limiter function (Optional)	- 20 -
7.1 Limiter function wiring diagram	- 21 -
7.2 Connect the limiter to inverter	- 22 -
7.3 Debugging Limiter	- 24 -
8. General Operation	- 25 -
8.1 The initial interface	- 26 -
8.2 Statistics information	- 28 -
8.3 Fault Record	- 30 -
8.4 ON/OFF setting	- 31 -
8.5 Parameter setting	- 32 -
9. Repair and Maintenance	- 36 -
10. Error information and processing	- 36 -
10.1 Error code	- 36 -
11. Specification	- 39 -

Photovoltaic Grid-connected System



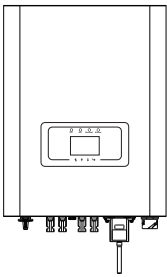
Application of inverter in photovoltaic power system

1. Introduction

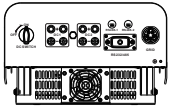
1.1 Appearance Introduction

Three Phase String Power Inverter can convert solar panel DC power into AC power which can directly input to the grid. Its appearance is shown below. These models contain SUN-20K-G02、 SUN-25K-G02.

The following is collectively referred to as ‘inverter’ .



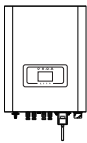
Pic1.1 Front view



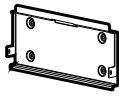
Pic1.2 Bottom view

1.2 Parts list

Please check the following table, to see whether all the parts are included in the package :



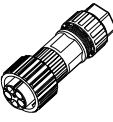
1



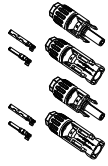
2



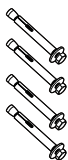
3



4



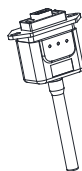
5



6



7



8



9

Pic1.3 Accessories drawing

No	Description	Qty
1	Grid-tied PV String Inverter	1
2	Wall mounting bracket	1
3	Mounting stainless steel screws M4 × 12	4
4	AC power connectors	1
5	DC power connectors (including Inserted spring)	2pairs
6	Stainless steel Collision bolt M6 × 80	4
7	User manual	1
8	Wifi-Plug (optional)	1
9	Square hole sealing plate (Wi-Fi Function selection)	1

1.1 Parts list

2. Safety warnings and instructions

Improper use of the inverter will cause electric shock and burn. During installation and maintenance, please strictly follow the instructions in this manual. Please read the user manual carefully before using the inverter. And please keep the instructions properly for afterwards use.

2.1 Safety signs

Safety signs are used to emphasize potential safety risk and important safety information. The manual includes below things:



Warning :

Safety warning——Indifference of the signs in the manual may cause injury or even death.



Shock Hazard :

Shock warning sign——Incorrect follow of this sign may get shocked.



Safety Hint :

Prudent operation——Incorrect follow of the safety operation hints in this manual may cause inverter defective.



High Temperature Hazard :

Inverter' s local temperature may exceed 80 °C while under operating. Please do not touch the inverter' s surface.

2.2 Safety instructions



Warning :

Electrical installation of the inverter must conform to the safety operation rules of the country or local area.



Warning :

Inverter is non-isolated topology structure, hence must insure DC input and AC output are electrical isolated before operating the inverter. Strictly prohibit ground the positive and negative poles of the PV string. Otherwise it will damage the inverter.



Shock Hazard :

Prohibit disassembling inverter case. There existing shock hazard, may cause serious injury or death, please ask qualified person to maintenance.



Shock Hazard :

When PV module is exposed to sunlight, The output will generate DC voltage. Prohibit touching to avoid shock hazard.



Shock Hazard :

After disconnecting the input and output of the inverter, it takes at least 5 minutes for the inverter to completely release the residual energy and wait for at least 5 minutes before it can be overhauled.



High Temperature Hazard :

Inverter's local temperature may exceed 80 °C while under operating. Please do not touch the inverter's surface.

2.3 Notes for using

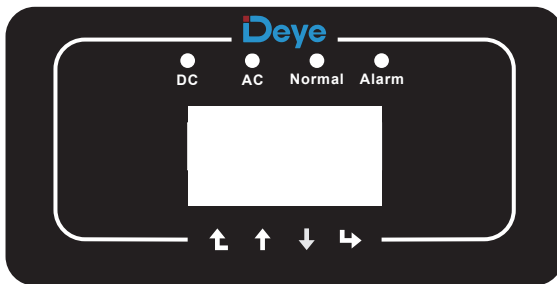
The three phase string power inverter is designed and tested under related safety regulations. It can ensure the personal safety of the user. But as an electric device, it may cause shock or injury by incorrect operation. Please operate the unit under below requirements:

1. Inverter should be installed and maintained by qualified person under local standard regulations.
2. It must disconnect the AC side first, then disconnect DC side before doing installation and maintenance, after disconnecting, please wait at least 5 mins to avoid get shocked.
3. Local temperature of the inverter may exceed 80 °C while under operating. Do not touch to avoid get injured.
4. All electrical installation must accord with local electrical standards, and after obtaining the permission of the local power supply department, the professionals can connect the inverter to the grid.
5. Please take appropriate anti-static measure.
6. Please install where children can not touch.

7. When starting the inverter, first close the closed-circuit grid-side switch and close the DC input terminal; when closing the inverter, disconnect the grid-side switch first and then disconnect the DC-side switch.
8. Don't insert and remove AC and DC terminals when the inverter is in normal operation.
9. The DC input voltage of the inverter must not exceed the maximum input voltage of the model.

3. Operation Interface

3.1 Interface View



Pic 3.1 Panel

3.2 Status Indicator

The inverter panel has 4 indicators, the left one is DC output indicator(green),indicates normal DC input power status. Beside is the AC indicator(green),indicates normal AC connecting status. Next is the operating indicator(green) indicates normal output. The right indicator is alarm(red), indicates alarming.

Indicator	status	Explanation
● DC	on	Inverter detects DC input
	off	Low DC input voltage
● AC	on	Grid Connected
	off	Grid Unavailable
● NORMAL	on	Under normal operating
	off	Stop operating
● ALARM	on	Detected faults or report faults
	off	Under normal operating

3.3 Buttons

There are four buttons on the inverter panel: above is up and increase button (UP), below is down and decrease button (DOWN), left is ESC button (ESC), right is Enter button (ENTER). The following functions can be achieved by the four buttons:

- Page turning (use UP and DOWN button)
- Modify adjustable parameters (use ESC and ENTER button)

3.4 LCD Display

The three-phase string inverters use a dot matrix display, mainly contains the following:

- Inverter operation status and information;
- Operating information;
- Warning message and malfunction display.

4. Product installation

4.1 Select installation location

After receiving the inverter and preparing to install it, please select a suitable location, should consider below factors:

- Ventilation—Must insure the air ventilation of the installation location, improper installation may cause overheating and effect the working efficiency and lifespan.
- Sun-shade—Expose the inverter to sunshine will cause it overheating and effect the working efficiency.
- Avoid rain and snow—Even if the inverter has IP65 protection,we still recommend installing the inverter at the ventilate place where can avoid rain and snow. It can help extend the lifespan of the inverter.



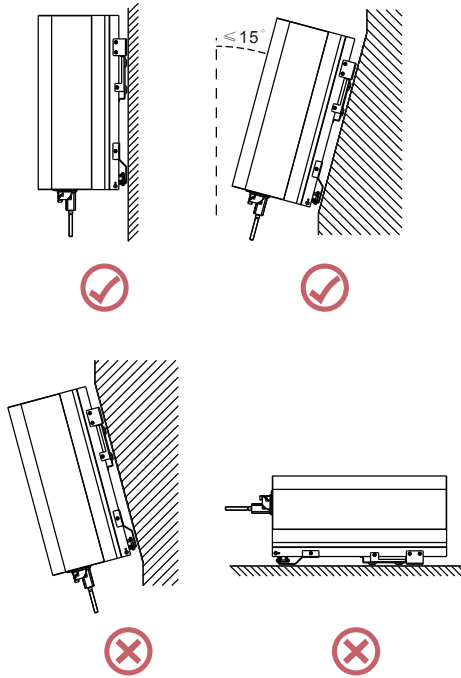
Pic4.1 Recommended installation place

- Please select the wall with certain bearing capacity.
- When doing the installation, vertical slope cannot exceed $\pm 15^\circ$. Make sure no lateral tilt. Otherwise it will affect the function of the heat sink. Cause the output power lower than expected.
- If install more than one inverter, must leave at least 500mm gap between each inverter. And each inverter must be at least 500mm above and below. And must install the inverter at the place where children cannot touch. Please see pic 4.3.
- Consider whether the installation environment is helpful to see the inverter LCD display and indicator status clearly.
- Must offer a ventilate environment if inverter is installed in the airtight house.

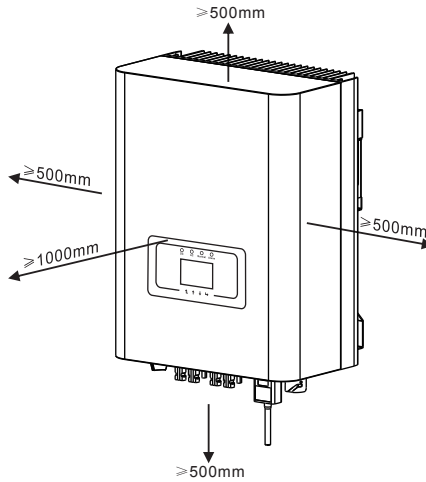


Safety Hints :

Do not place or store any items next to the inverter.



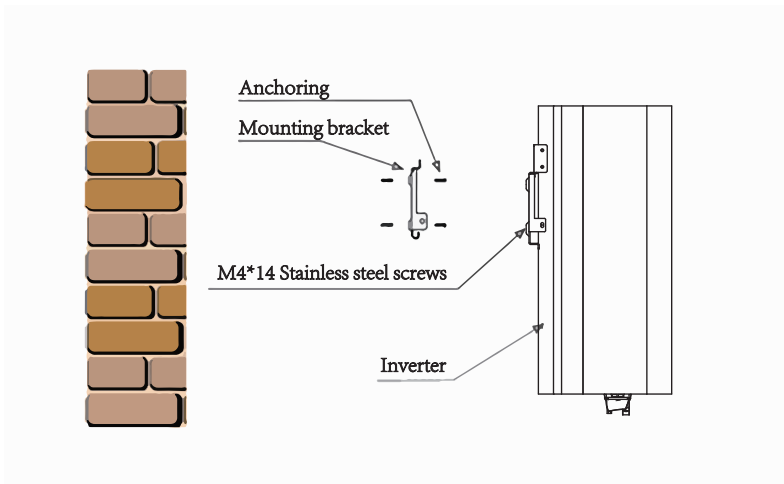
Pic4.2 Installation Angle



Pic4.3 Installation Gap

4.2 Inverter Installation

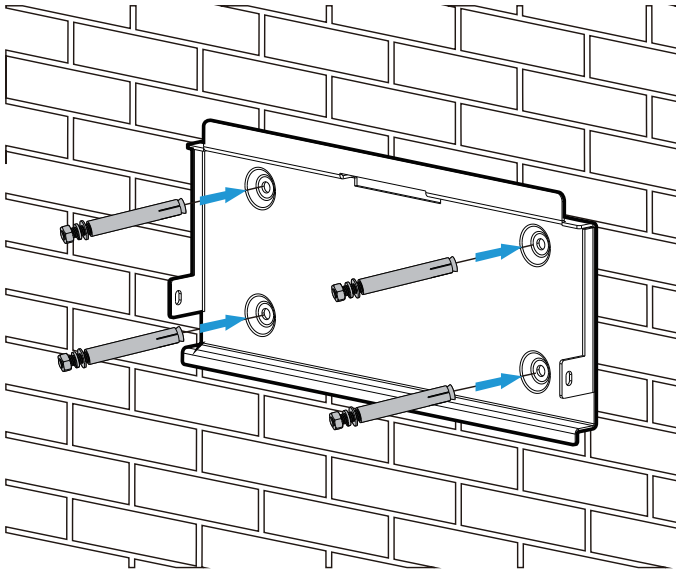
The inverter is designed according to the wall mounted type installation, please use the wall mounted (the brick wall of the expansion bolt) when installing.



Pic4.4 Inverter Installation

Inverter should be vertically installed, as shown in pic 4.5, installation procedure show below:

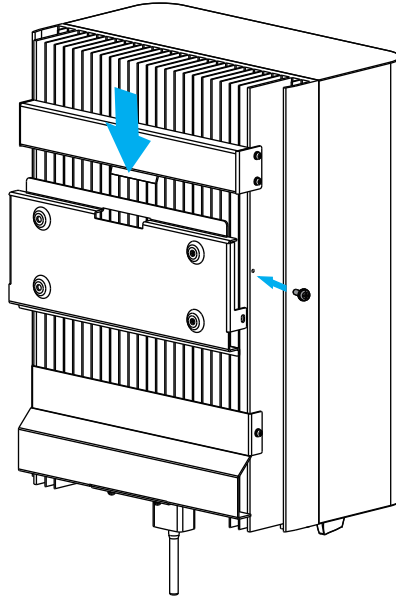
1. Position the bolts on the appropriate wall according to the bolt positions on the mounting shelves and mark the holes. On the brick wall, the installation must be suitable for the expansion bolt installation.



Pic4.5 Inverter hanging plate installation

2.Ensure that the position of the installation holes on the wall (A, B, C, D) are the same position of installation (Picture 4.5), and the mounting level is guaranteed.

3. Hang the inverter to the top of the mounting rack and then use the M4 screw in the accessory to lock E and F (Picture 4.6) to ensure that the inverter will not move.



Pic4.6 Mounting of inverter

5 Electrical Connection

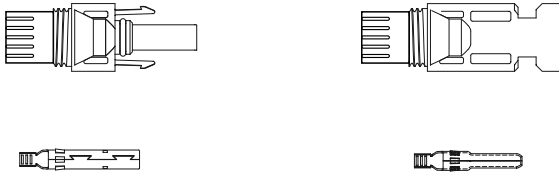
The inverter has considered the convenience of the electrical connection while designing, we design fast connection for both DC and AC ,all electrical connections conform to the related standards of the country .

5.1 DC input terminal connection

In order to safe connection, the electrical connection must follow below steps :

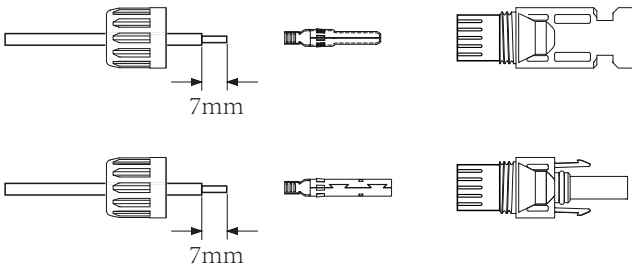
1. Switch AC off
2. Switch DC off
3. Connect the inverter to solar panels

- a). Make sure that the polarity of the output voltage of the solar panel is consistent with the polarity identified by the inverter.
- b). Connect DC positive and negative to the inverter input terminal. Figure 5.1 is shown in figure 5.2.



Pic 5.1 DC “+” connector (MC4) Pic 5.2 DC “-” connector (MC4)

- c). Making DC connection line Strip off the DC wire about 7mm, disassemble the connector cap nut(see pic5.3).



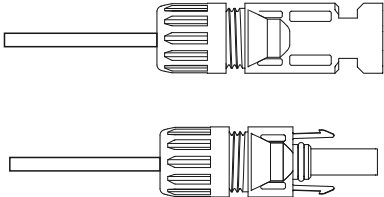
Pic 5.3 Disassemble the connector cap nut

- 1). Crimping metal terminals with crimping pliers as shown in 5.4.



Pic 5.4 Crimp the contact pin to the wire

2). Insert the contact pin into the connector housing until it locks in place. Screw the cap nut onto the connector housing. Torque to 2.5-3Nm(as shown in pic 5.5).

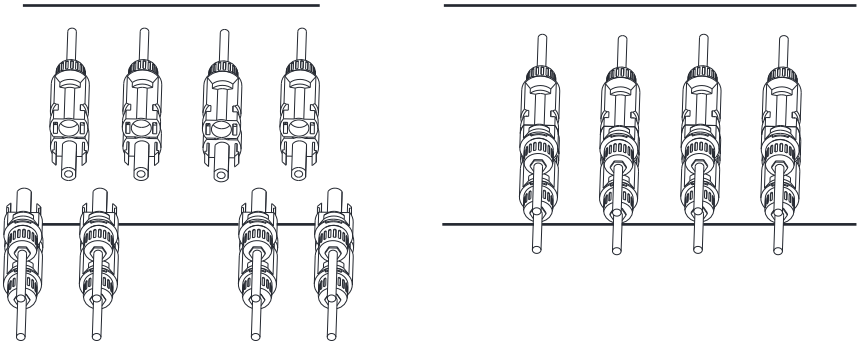


Pic 5.5 connector with cap nut screwed on

Cable type	Traverse area (mm ²)		Outside diameter of cable (mm)
	Range	Recommended size	
Industry generic PV cable (model;PV1-F)	4.0-6.0 (12-10AWG)	4.0(12AWG)	5.5-9.0

Sheet 5.1 Specs of AC cable

3).Finally insert the DC connector into the positive and negative input of the inverter, shown as figure 5.6



Pic 5.6 DC input connection



NOTE:

Sunlight shines on the panels will generate voltage, high voltage in series may cause danger to life. Therefore, before connecting the DC input line, the solar panel needs to be blocked by the opaque material and ensure that the DC switch is 'OFF', otherwise, the high voltage of the inverter may lead to life-threatening conditions.

5.2 DC input terminal connection

Do not close the DC switch after the DC terminal is connected. Connect the AC terminal to the AC side of the inverter, the AC side is equipped with three-phase AC terminals that can be conveniently connected. Flexible cords are recommended for easy installation. The specifications are as shown in sheet 5.2

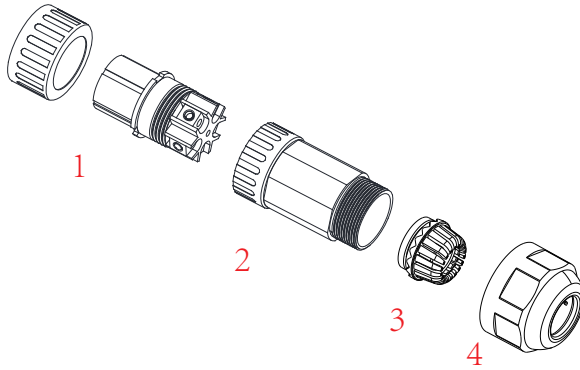


Warning :

Prohibit using a single circuit breaker for multiple inverters , prohibit the connection of load between inverter circuit breakers.

Cable item	Dia	Cable CSA	Cable outer dia	AWG
Specification	2.5mm	10mm ²	15~18mm	8
Model	SUN-20K/25K-G02			
Breaker	40A/400V			
Max cable length	Outside cable(3+PE)20m			

Table 5.2 Cable information



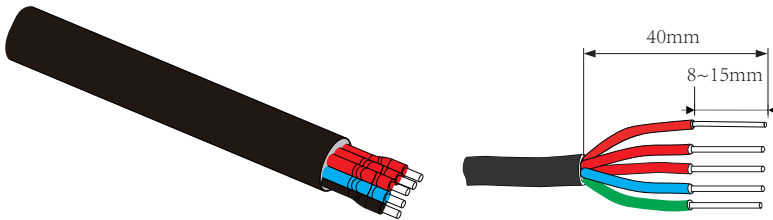
1. Matching socket 2.Sleeve 3.Sealing core 4.Sealing nut

Pic 5.7 AC connector structure

The AC output connector is divided into three parts: matching socket, sleeve and sealing sleeve, as shown in Picture 5.7, the steps are as follows:

Step 1 Remove the cable sealing ring and sleeve in sequence from the AC connector.

Step 2 Use strippers to strip the protective sheath and insulation layer of the AC cable to the right length, as shown in Picture 5.8.



Pic 5.8 Strip AC cable

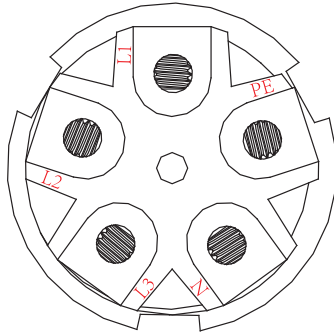


Warning :

Be careful to distinguish the L1, L2,L3,N and PE of the AC cables.

Step 3: Insert the cable (L1, L2, L3, N, PE) into the sealing sleeve.

Step 4 Use the hexagon screwdriver, loosen the bolts of the socket in turn, and insert each cable core into the corresponding jack, and set each screw. The connection hole of AC connection terminal labeling is shown in Picture 5.9.



Pic 5.9 AC Connector Hole Pattern

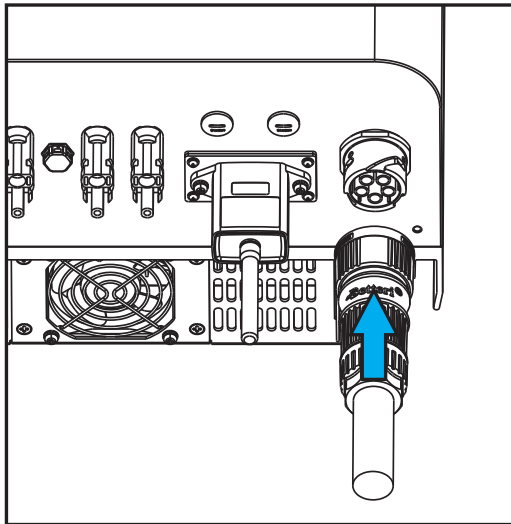


Safety Hint :

when connection please according to above picture, ensuring each cable plug into corresponding port.

Step 5 Set the sleeve and sealing ring in place

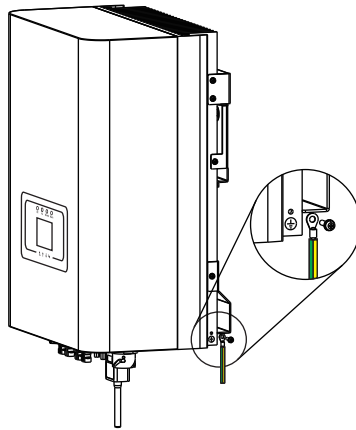
Step 6 Connect the terminals to the inverter as shown in picture 5.10.



Pic 5.10 AC input connection

5.3 The connection of the ground line

Good grounding is good for resisting surge voltage surge and improving EMI performance. Therefore, before connecting AC, DC, and communication cables, you need to ground the cable firstly. For a single system, just ground the PE cable; For multiple machine systems, all PE cables of the inverter need to be connected to the same grounding copper platoon to ensure the equipotential connection. The installation of the shell ground wire is shown as Picture 5.11.



Pic 5.11 The installation of the shell ground wire

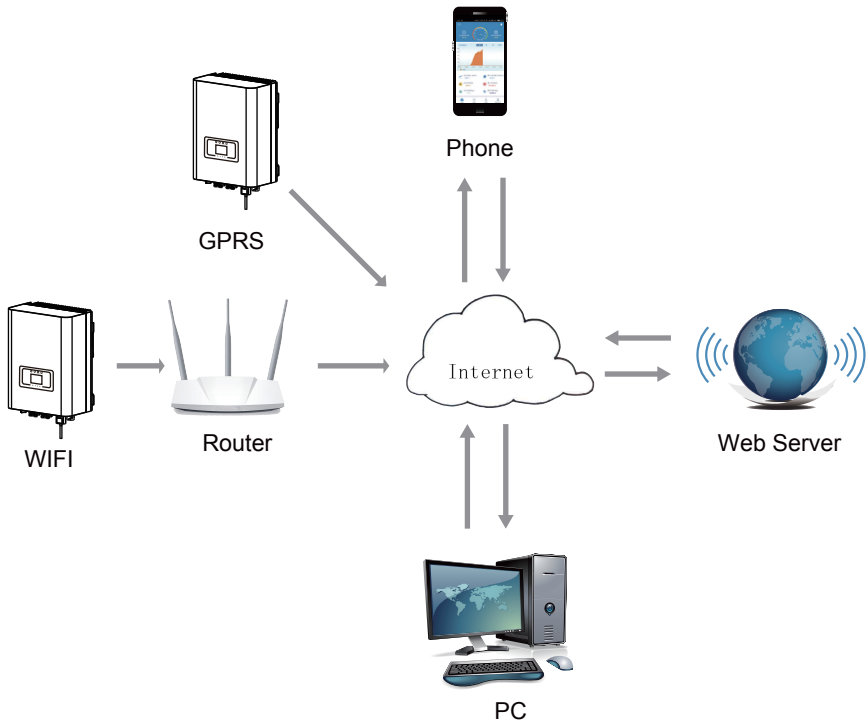


Warning :

Inverter has built-in leakage current detection circuit, If an external leakage current protection device is connected, its operating current must be greater than 300mA or higher, otherwise inverter may not work properly.

5.4 Inverter monitoring connection

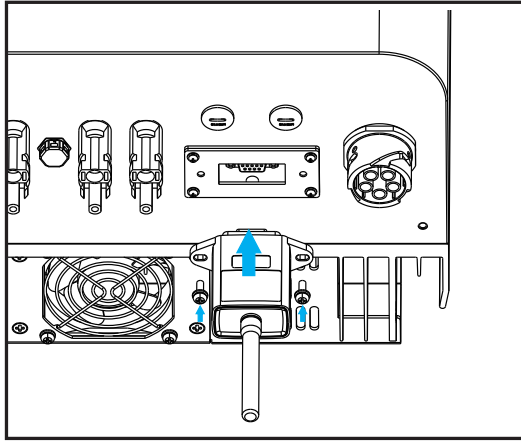
Inverter has the function of wireless remote monitoring. The inverter with Wifi function is equipped with Wifi Plug to connect the inverter and network. Wifi Plug's operation, installation, Internet access, APP downloading and other processes are detailed in the instructions. Picture 5.12 is the Internet monitoring solution.



Pic 5.12 Internet monitoring solution

5.4.1 Installation of Wi-Fi Plug

When the inverter is out of the factory, the installation location of Wifi plug is sealed by a sealed plate as shown in Figure 5.13. When installing the Wifi Plug, remove the sealing plate, replace it with the sealing plate with square hole in the accessories, and tighten the screws. Insert the Wifi Plug into the interface and fix it with a screw. The configuration of the WiFi Plug needs to be performed after various electrical connections have been completed and the inverter DC power on. When the inverter is on the DC power, it is determined whether the WiFi Plug is normally electrified (The LED light shines out of the shell).



Pic 5.13 Wifi Plug installation diagram

5.4.2 Configuration of Wi-Fi Plug

For the configuration of Wi-Fi Plug, please refer to illustrations of the Wi-Fi Plug.

6. Startup and Shutdown

Before starting the inverter, make sure that the inverter can meet the following conditions, otherwise it may result in fire or damage to the inverter. In this case, we do not undertake any responsibility. At the same time, to optimize the system configuration, it is recommended that the two inputs be connected to the same number of photovoltaic modules.

- a). The maximum open voltage of each set of photovoltaic modules shall not exceed 600VDC under any conditions.
- b). Each input of the inverter must use the same type of photovoltaic module in series.
- c). Total output power of pv shall not exceed the maximum input power of inverter, each photovoltaic modules shall not exceed the rated power of each channel.
- d). The short circuit current of each series of photovoltaic modules cannot be greater than 10A at any time.

6.1 Start up the inverter

When start up the three phase string inverter, should follow below steps :

1. First switch on the AC breaker.
2. Turn on the dc switch of the photovoltaic module, and if the panel provides sufficient starting voltage and power, the inverter will start.
3. When the ac voltage and dc voltage are normal, the inverter start-up is ready to begin. The inverter will first check the internal parameters and the grid parameters, while the liquid crystal will show that the inverter is self-checking.
4. If the parameter is within acceptable range, the inverter will generate the normal grid. NORMAL indicator light is on.

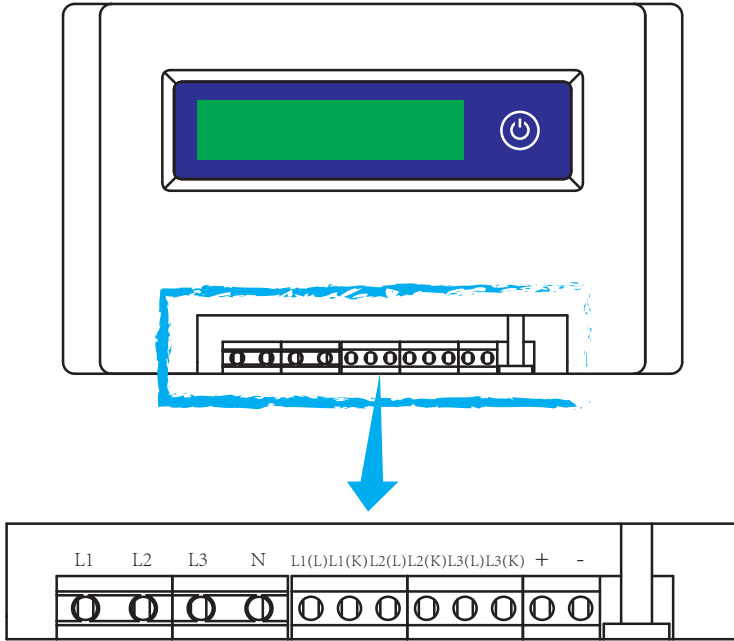
6.2 Inverter Shutdown

Must follow below steps while Shutting down the inverter:

1. Switch off the AC breaker.
2. Wait for 30 seconds, turn off the dc switch (if any), or simply disconnect the dc input connector. The inverter will close the LCD and all leds within two minutes.

7. Limiter function (Optional)

The inverter has external limiter function. This function is optional. It can collect counter-current power to control the output power of the inverter, so that the power of inverter and load can be offset, and the excess power will not be fed back to the grid. If you purchase the inverter with limiter function, an external limiter and three current sensors will be included in the package which is necessary for the function. The external limiter is shown as Pic 7.1. You can see corresponding line mark next to the green interface. The green terminals on the left are the interface of three-phase AC line (L1, L2, L3) and N Line (N), and the right are the interface between three sets of current sensor and one set of control terminals. Limiter will collect voltage and current from these interfaces and send control signals to the inverter.

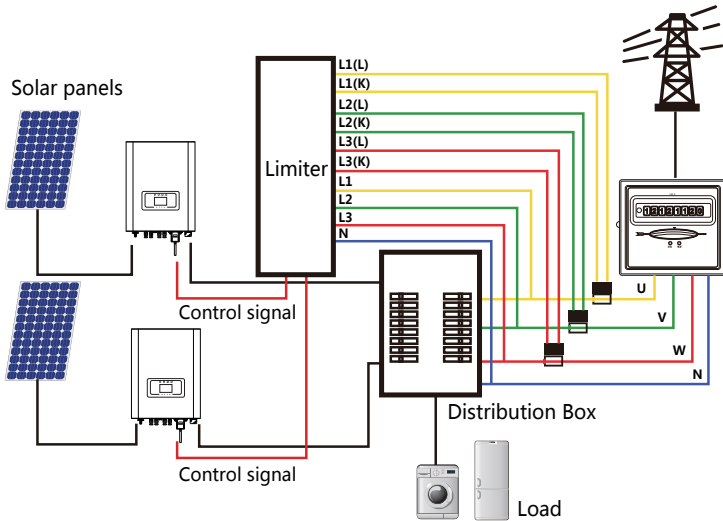


Pic 7.1 Limiter view

7.1 Limiter function wiring diagram

When you are reading this, we believe that you have completed the connection according to the requirements of chapter 5, if you has been running your inverter at this time, and you want to use the limiter function, please turn off AC and DC switch of the inverter, and wait for 5 minutes until the inverter completely discharged. In order to make it easier for you to use the limiter function of the inverter, we have specifically given the wiring diagram, as shown in Picture 7.2, the red lines connected to the utility grid called wire (L), blue line shows the zero line (N), yellow green line shows the ground wire (PE). We recommend installing an AC switch between the inverter outlet and the utility grid, the specs of the AC switch is determined by the load capacity.

The AC switch we recommend to connect to the inverter output refer to Table 5.2.



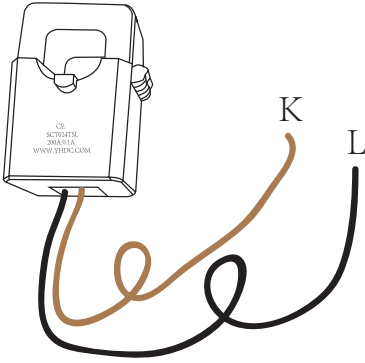
Pic 7.2 Wiring diagram

7.2 Connect the limiter to inverter

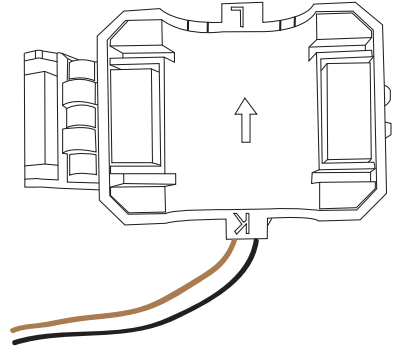
The limiter will measure the voltage and current of three phases separately, and this manual only introduces the installation steps of one phase, the other two phases are the same. The specific installation steps are as follows:

(1) Connect limiter to the grid. Connected to the grid is to measure the voltage of grid. Before connect to the grid, please turn off the switch to avoid the risk of electric shock. Choose one wire from the bottom of the three-phase DC switch. (any phase of U, V, W) to connect with L1 terminal, then tighten the line with a screwdriver.

(2) Connect limiter to clamp sensor. Clamp sensor can measure the current of the AC side, it should be connected to the front side of the load (domestic appliance ect.) to achieve this function. Only when the limiter collects the voltage and current of the same phase can it judge the power of the phase. So the clamp sensor should be connected to the same phase as the before. Open the side buckle of the clamp sensor, then clamp the sensor to the AC line on the DC switch, the arrow direction on the sensor should towards that of the load. The clamp sensor has two lines (shown as below), and the white line corresponds to K terminal, black line corresponds to L terminal. Connect the white line to the L1(L) and L1(K) terminal refer to the line mark of the limiter and tighten the line with screwdriver. This is the whole installation process of one phase.



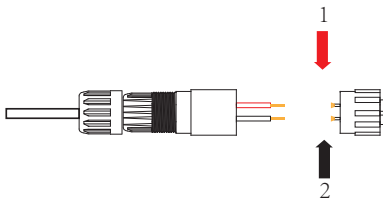
Pic7.3 Clamp Sensor



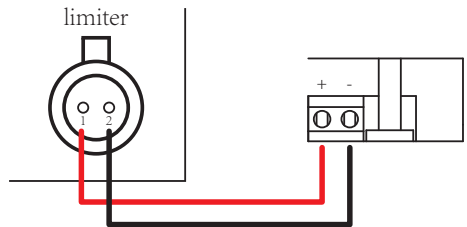
Pic7.4 Clamp Sensor internal arrow

(3)After you finish the installation in process 1 and 2, connect the N line (N) to the N terminal of the limiter and tighten the line.

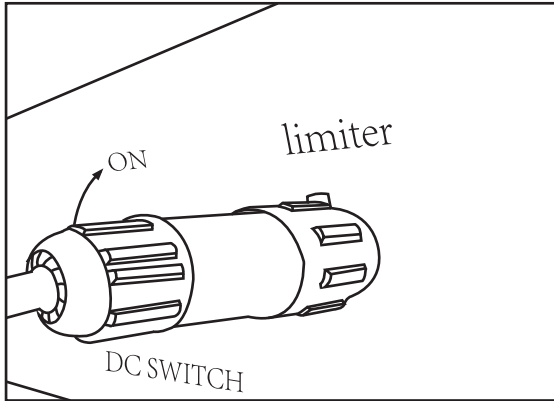
(4)Connect the control line. There are two numbers 1 and 2 on the interface of limiter, and the same on the waterproof terminal of the inverter. Twist the waterproof terminal and connect the red line to number 1 and black line to number 2 shown as the picture. After that connect the terminal to the interface of the limiter. The other side of the line should be connected to the control terminal.



Pic7.5 Waterproof terminal



Pic7.6 Connect limiter to inverter



Pic7.7 Connect terminal to inverter

7.3 Debugging Limiter

Turn on the anti-backflow function of the inverter refer to the manual , then turn on the Limiter's power supply, next close the DC switch, and last turn on the inverter.

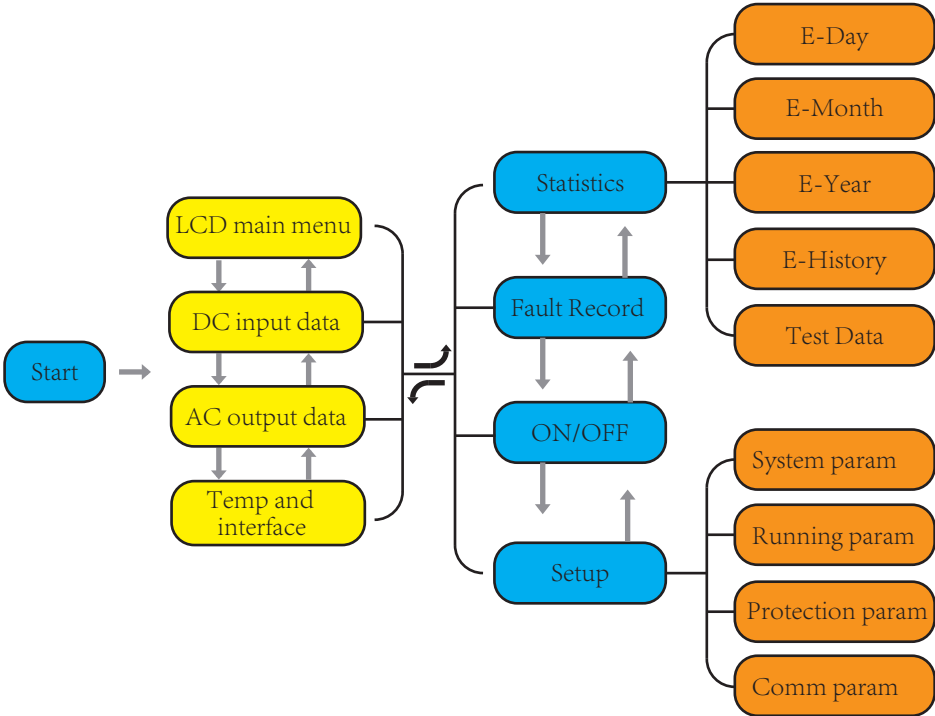
MENU» Setup» Run Param			
ActiveP	0%	Island	OFF
Reactive	0%	Fun_GFDI	OFF
PF	-1.000	Limiter	OFF
Fun_ISO	OFF	PowerWH	
Fun_RCD	OFF	Factor	0.00
SelfCheck	OS	MPPT Num	0
	OK	Cancel	

Pic7.8 Limiter function setting interface

Press the button of the limiter to the setting interface. Long press the button to switch the anti-backflow mode. Limiter has two anti-backflow modes, the minimum mode and the average mode. In the minimum mode, limiter will control the power of the inverter according to the phase with the lowest power to ensure that no reverse current will occur in each phase. In average mode, limiter controls the output of the inverter according to the average of the total power of the three-phase load, which may cause single backflow. The controller is produced in the minimum mode to ensure no anti-backflow happens to the customers.

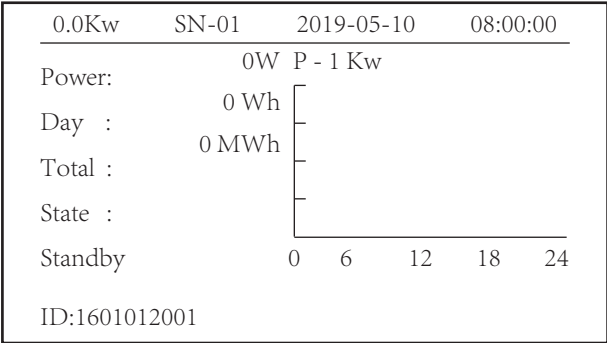
8. General Operation

During normal operation, the LCD shows the current status of the inverter, including the current power, total generation, a bar chart of power operation and inverter ID, etc. Press the Up button and the Down button to see the current DC voltage, DC current, AC voltage, AC current, inverter radiator temperature, software version number and wifi connection state of the inverter.



8.1 The initial interface

From the initial interface, you can check the current working state and product current power, today's power generation, total power generation of inverter. And can view today's power generation trend, the ID number of the inverter and the current power model of the inverter through the graph.



Pic8.1 The initial interface

Press UP or Down you can check inverter DC voltage, DC current, AC voltage, AC current, inverter temperature, software version information.

RUN	Input
PV1 V : 0G.0V	I : 0.0A
PV2 V : 0G.0V	I : 0.0A

Pic8.2 PV input and DC current information

You can check the PV information, the number of strings input, MPPT voltage and MPPT current.

<u>RUN</u>	<u>Grid</u>
Ua : 234.5V	Ia : 0.0A
Ub : 234.5V	Ia : 0.0A
Uc : 234.5V	Ia : 0.0A
Grid Freq : 50.00Hz	

Pic8.3 AC running state information

You can check the three phase voltage, current, and grid frequency.

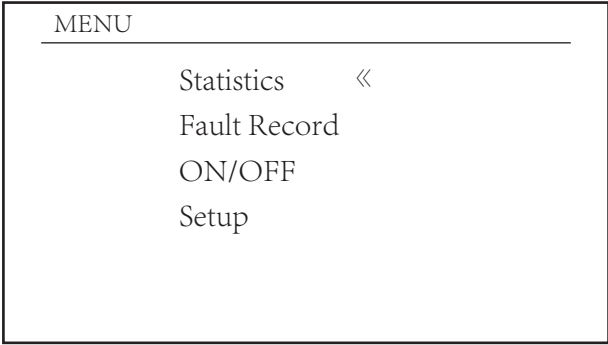
<u>RUN</u>	<u>Temperature</u>
Inside Temp. : 25.5°C	
Ver0142 Ver1400	
● ●	

Pic8.4 Temperature and software version

You can check the inverter inside temp, LCD software Ver137 and inverter software Ver1400. There are two black spot in the bottom right corner. The first flash means inverter is communicating with LCD. The second flash means LCD is communicating with wifi plug.

8.1.1 Main Menu

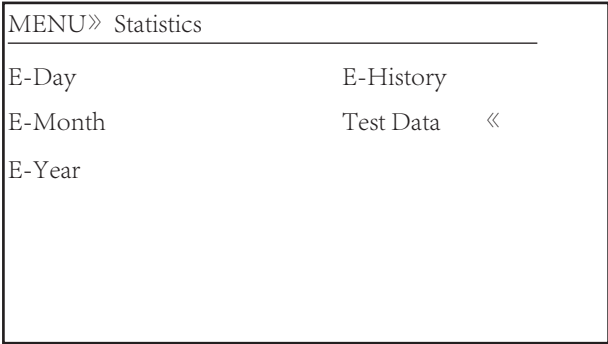
There are four sub menu in the Main Menu.



Pic8.5 Main Menu

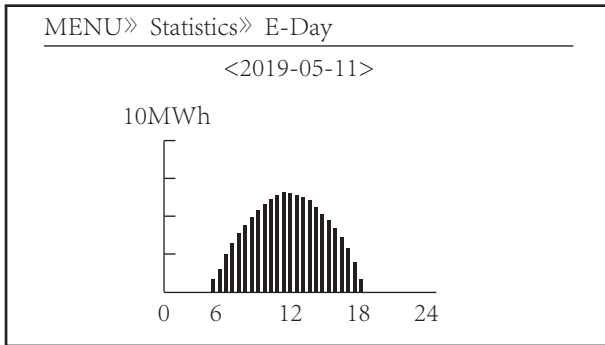
8.2 Statistics information

There are five sub menu in the statistics.

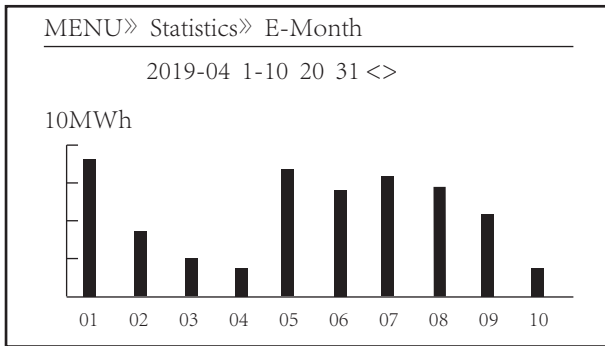


Pic8.6 PV input and DC current information

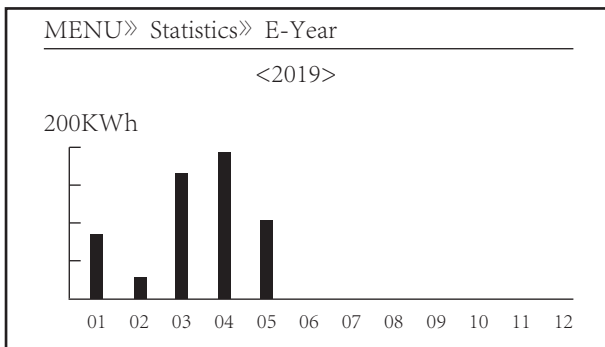
You can check the PV information, the number of strings input, MPPT voltage and MPPT current.



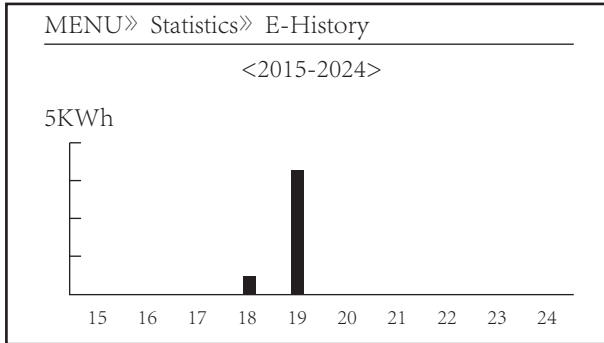
Pic8.7 E-Day



Pic8.8 E-Month



Pic8.9 E-Year



Pic8.10 E-History

This information is for technician's reference.

PV1 :	19186	1k3 :	11126	ofC :	2057
PV2 :	19198	1k4 :	11140	137 :	2145
HV :	19152	1k5 :	16666	138 :	2248
GFD :	9119	1k6 :	2927	139 :	1497
DiL :	36	vHV :	24362	140 :	0
AVL :	-2	BSn :	12218		
126 :	287	ofA :	2065		
1k2 :	6	ofB :	2653		

Pic8.11 Test Data

8.3 Fault Record

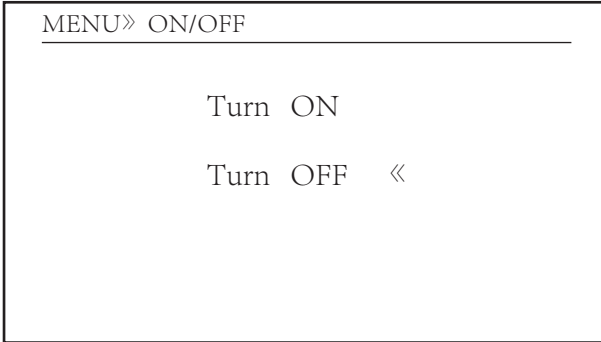
Only can keep four fault record in the menu include time, customer can deal with it depends on the error code.

MENU» Fault Record

Fault :	F352019-05-05 08:38
History :	1 F352019-05-05 08:37
	2 F352019-04-24 18:47
	3 F352019-04-24 17:54
	4 F352019-04-24 17:53

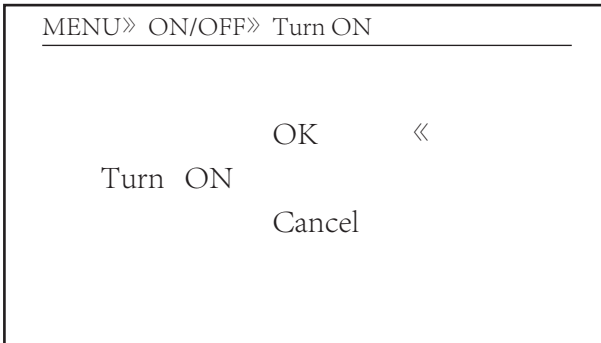
Pic8.12 Fault Record

8.4 ON/OFF setting

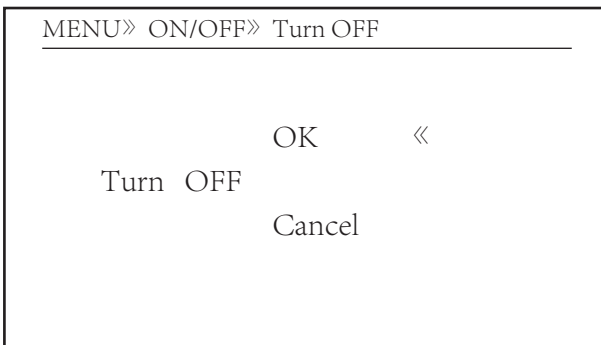


Pic8.13 ON/OFF setting

Into each submenu through cursor.



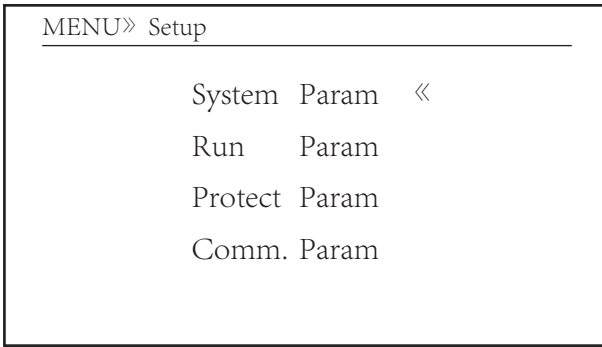
Pic8.14 ON set



Pic8.15 OFF set

8.5 Parameter setting

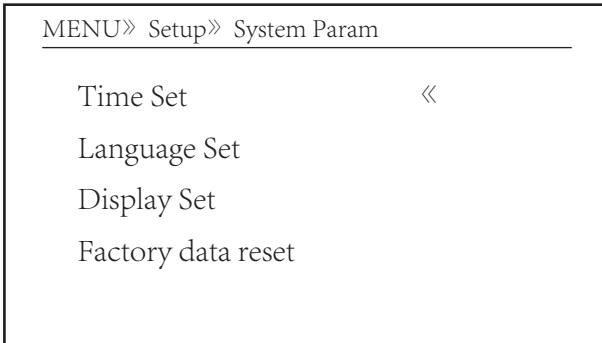
Setting include system param, run param, protect param, comm.. param. All of these information for maintenance reference.



Pic8.16 setting

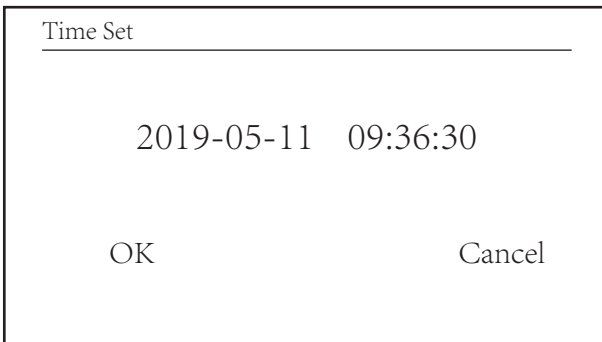
8.5.1 System Param

System Param includes time set, language set, display set and factory date reset.



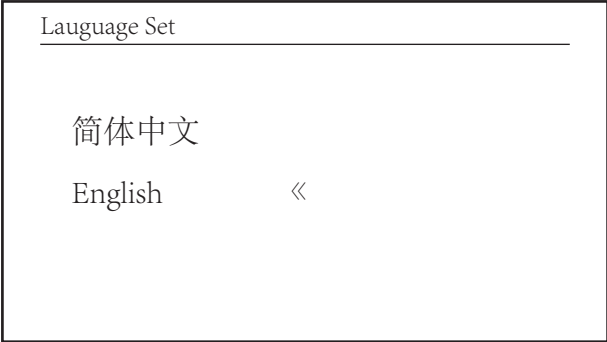
Pic8.17 System Param

8.5.1.1 Time set



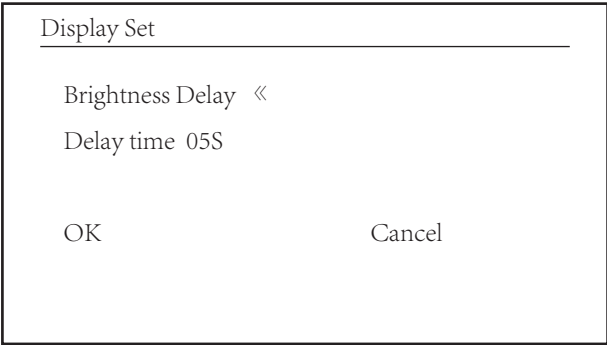
Pic8.18 System Param

8.5.1.2 Language set



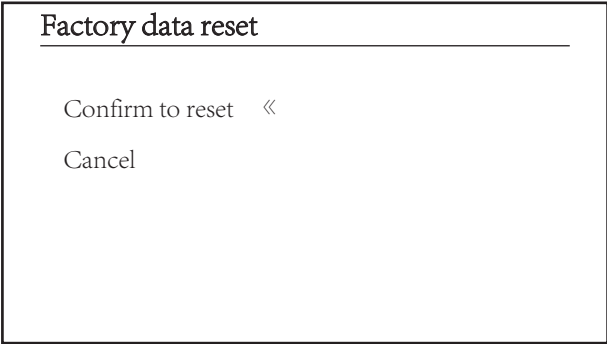
Pic8.19 language set

8.5.1.3 Display Set



Pic8.20 Display set

8.5.1.4 Factory data reset



Pic8.21 Factory data reset set

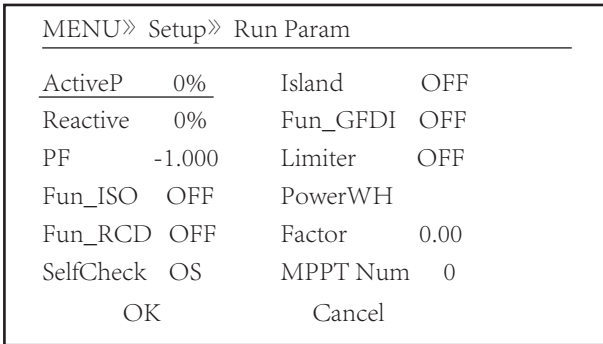
8.5.2 Running Param

NOTE :

Password required-restricted access-authorized engineer only. Unauthorized access may void the warranty. The initial password is 1234 .



Pic8.22 Password

A screenshot of a parameter menu screen. The title is 'MENU» Setup» Run Param'. Below the title is a horizontal line. The screen displays a list of parameters and their values in two columns. At the bottom, there are two options: 'OK' and 'Cancel'.

MENU» Setup» Run Param			
ActiveP	0%	Island	OFF
Reactive	0%	Fun_GFDI	OFF
PF	-1.000	Limiter	OFF
Fun_ISO	OFF	PowerWH	
Fun_RCD	OFF	Factor	0.00
SelfCheck	OS	MPPT Num	0
	OK		Cancel

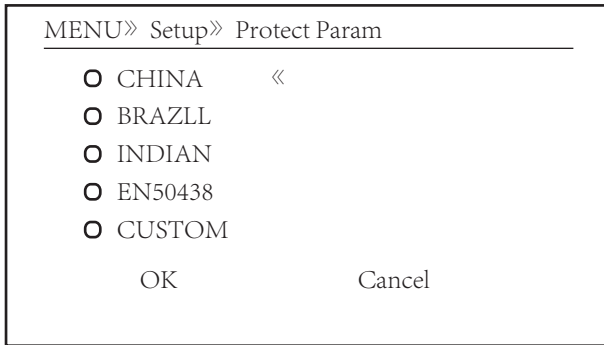
Pic8.23 Running Param



NOTE :

Engineer Only.

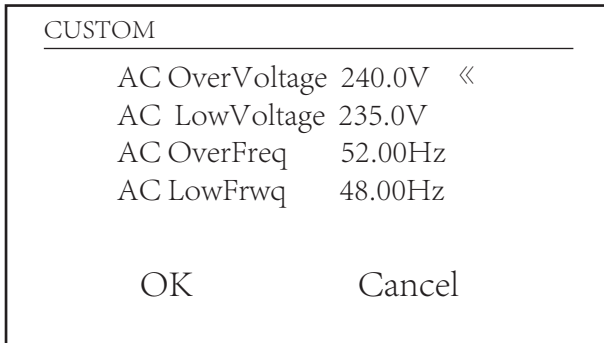
We will set the param depends on the safety requirements, so customers don't need to reset it. The password is same as 8.4.2 Running param.



Pic8.24 Protect Param

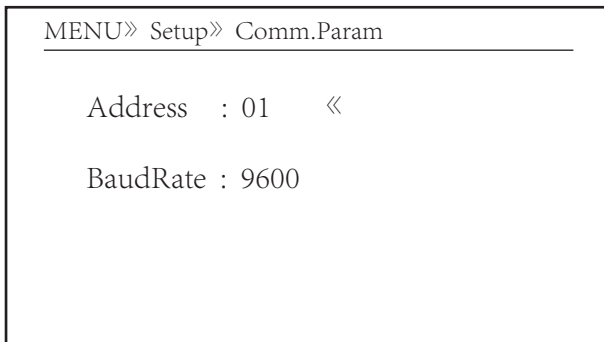
NOTE :

Engineer Only.



Pic8.25 “CUSTOM”

8.5.3 Comm. Param



Pic8.26 Communication param

9. Repair and Maintenance

String type inverter doesn't need regular maintenance. However, debris or dust will affect heat sink's thermal performance. It is better to clean it with a soft brush. If the surface is too dirty and affect the reading of LCD and LED lamp, you can use wet cloth to clean it up.



Warning :

When the device is running, the local temperature is too high and the touch can cause burns. Turn off the inverter and wait for it cooling, then you can clean and maintain.



Warning :

When cleaning any part of the inverter, no solvent, abrasive materials or corrosive materials shall be used for cleaning.

10. Error information and processing

Three-phase string inverters are designed according to grid-connected operating standards. It meets safety requirements and electromagnetic compatibility requirements. Before leaving the factory, the inverter has undergone several rigorous tests to ensure that it can be operated reliably and permanently.

10.1 Error code

In the case of failure the LCD screen will display an alarm message. In this case the inverter may stop feeding energy into the grid. The alarm description and their corresponding alarm messages are listed Table 10.1

Error code	Description	Solutions
F10	Auxiliary switch power supply failure	<ol style="list-style-type: none"> 1. Turn off DC/AC switch, and turn on DC/AC switch 10mins later; 2. If the fault still exists, please contact us for help.
F13	Reserved	<ol style="list-style-type: none"> 1. Loss of one phase or AC voltage detection part failure or relays not closed; 2. Seek help from us, if can't go back to normal state.
F15	AC firmware over current	<ol style="list-style-type: none"> 1. Restart inverter and check whether it is in normal; 2. Seek help from us, if can't go back to normal state.
F16	GFCI(RCD) Ac leakage current fault	<ol style="list-style-type: none"> 1. Check PV module connection; 2. Turn off the DC/AC switch and then wait 1~2 minute, then turn on the DC/AC switch again; 3. Seek help from us, if can't go back to normal state.
F18	AC over current fault of hardware	<ol style="list-style-type: none"> 1. Restart inverter and check whether it is in normal; 2. Seek help from us, if can't go back to normal state.
F20	DC over current fault of the hardware	<ol style="list-style-type: none"> 1. Check DC input power is within the allowed range; 2. Restart inverter and check whether it is in normal; 3. Seek help from us, if can't go back to normal state.
F23	AC leakage current is transient over current	<ol style="list-style-type: none"> 1. Please wait for a while and check whether it is normal; 2. If still same, and turn off the DC switch and AC switch and wait for one minute and then turn on the DC/AC switch; 3. Seek help from us, if can't go back to normal state.
F24	DC insulation impedance failure	<ol style="list-style-type: none"> 1. Check PV panels connection and restart inverter. This problem is caused by the PV side usually; 2. If the fault still exists, please contact us for help.
F30	AC main contactor failure	<ol style="list-style-type: none"> 1. Turn off the DC/AC switch and then wait 1~2 minutes, then turn on the DC/AC switch again; 2. If the fault still exists, please contact us for help.
F35	No AC grid	<ol style="list-style-type: none"> 1. Check AC grid voltage; 2. Check whether the AC output connection is in good condition; 3. If the fault still exists, please contact us for help.
F39	AC over current (one cycle) Grid voltage fault	<ol style="list-style-type: none"> 1. Wait for inverter to return to normal; 2. Disconnect DC switch and AC switch, and reconnect DC switch and AC switch 10min later to restart the inverter; 3. If the fault still exists, please contact us for help.

Error code	Description	Solutions
F41	AC Line W, U over voltage Generally, the inverter will reconnect to grid after grid returns to normal. If this fault occurs repeatedly then check as follow:	<ol style="list-style-type: none"> 1. Measure the actual grid voltage and compare with inverter set value. if the grid voltage measured is higher than set value, and then ask help from local electrically company for solution; 2. Check whether voltage protection parameters are appropriate via LCD or monitoring platform; 3. Check whether the cross-sectional area of AC cable meets the requirements; 4. If the fault is not caused by foregoing reasons and still exists, please contact us for help.
F42	AC Line W, U low voltage Generally, the inverter will reconnect to grid after grid returns to normal. If this fault occurs repeatedly then check as follow:	<ol style="list-style-type: none"> 1. Measure the actual grid voltage and compare with inverter set value. if the grid voltage measured is lower than set value, and then ask help from local electrically company for solution; 2. Check whether voltage protection parameters are appropriate via LCD or monitoring platform; 3. If the fault is not caused by foregoing reasons and still exists, please contact us for help.
F43	AC Line V, W over voltage	1. Refer to F41.
F44	AC Line V, W low voltage	1. Refer to F42.
F45	AC Line U, V over voltage	1. Refer to F41.
F46	AC Line U, V low voltage	1. Refer to F42.
F47	AC Over frequency Generally, the inverter will reconnect to grid after grid returns to normal. If this fault occurs repeatedly then check as follow:	<ol style="list-style-type: none"> 1. Measure the actual grid frequency and compare with inverter set value. if the grid frequency measured is higher than set value, and then ask help from local electrically company for solution; 2. Check whether frequency protection parameters are appropriate via LCD or monitoring platform; 3. If the fault is not caused by foregoing reasons and still exists, please contact us for help.
F48	AC lower frequency Generally, the inverter will reconnect to grid after grid returns to normal. If this fault occurs repeatedly then check as follow:	<ol style="list-style-type: none"> 1. Measure the actual grid frequency and compare with inverter set value. if the grid frequency measured is lower than set value, and then ask help from local electrically company for solution; 2. Check whether frequency protection parameters are appropriate via LCD or monitoring platform; 3. If the fault is not caused by foregoing reasons and still exists, please contact us for help.
F55	DC busbar voltage is too high	<ol style="list-style-type: none"> 1. Check PV input voltage and Ubus voltage via LCD or monitoring platform; 2. Disconnect DC switch and AC switch, and reconnect DC switch and AC switch 10min later to restart the inverter; 3. Check whether the inverter works in export control mode. If so, decreasing PV panel number in series; 4. If the fault still exists, please contact us for help.

Error code	Description	Solutions
F56	DC busbar voltage is too low	<ol style="list-style-type: none"> 1. Check PV input voltage and Ubus voltage via LCD or monitoring platform; 2. Disconnect DC switch and AC switch, and reconnect DC switch and AC switch 10min later to restart the inverter; 3. If the fault still exists, please contact us for help.
F64	IGBT heat sink high temperature Heat sink temperature is too high	<ol style="list-style-type: none"> 1. Check whether the work environment temperature is too high; 2. Turn off the inverter for 10mins and restart; 3. Seek help from us, if can't go back to normal state.



Note:

If your SUN-20K/25K-G02 string inverter has any of the fault information shown in Table 10-1, and when you reset the machine and still don't solve the problem, please contact our distributor and provide the below details:

1. Serial number of the inverter;
2. The distributor/dealer of the inverter (if available);
3. Installation date;
4. The description of problem (include LCD's error code and LED status indicator lights);
5. Your contact details.

11. Specification

Model	SUN-20K-G02	SUN-25K-G02
Max.DC Power(kW)	24	32.5
Max.DC Input Voltage(V)	1000	
Start-up DC Input Voltage(V)	250	
MPPT Operating Range(V)	200~800	
Max.DC Input Current(A)	20+20	30+30
Number of MPPT/ Strings per MPPT	2/2	2/3
Rated Output Power(kW)	20	25

Max.Active Power(kW)	22	27.5
Rated AC Grid Voltage(V)	380/400	
AC Grid Voltage Range(V)	277~460	
Rated Grid Frequency(Hz)	50/60(Optional)	
Operating Phase	Three phase	
Rated AC Grid Output Current(A)	29	36.2
Max.AC Output Current(A)	31.9	39.9
Output Power Factor	>0.99	
Grid Current THD	<3%	
DC Injection Current(mA)	<0.5%	
Grid Frequency Range	47-52 or 57-62 (optional)	
Max.Efficiency	98.6%	
Euro Efficiency	97.8%	
MPPT Efficiency	>99%	
Protection	DC reverse-polarity protection; AC short circuit protection; AC output overcurrent protection;Output overvoltage protection;Insulation resistance protection;Ground fault monitoring;Surge protection;Islanding protection; Temperature protection; Integrated DC Switch (Optional);	
Size(mm)	400W × 520H × 240.5D	
Weight(kg)	29	
Topology	Transformerless	
Internal consumption	<1W(Night)	
Operating temperature	-25 ~ 60 C	
Ingress protection	IP65	
Noise Emission(Typical)	<30dB	
Cooling Concept	Intelligent cooling	
Max.Operating Altitude Without Derating	2000m	
Designed Lifetime	>20Years	
Grid Connection Standard	EN50438;IEC61727;VDE4105;NB/T32004(CQC);IEC62109-1-2	
Operation surrounding humidity	0~100%	
Staffy EMC / Standard	IEC62109-1/-2,EN61000-6-1,EN61000-6-3	
DC Connection	MC-4 mateable	
AC Connection	IP65 rated plug	
Display	LCD1602 / LCD 240 × 160	
Interface	RS485/RS232	

Table10.1 Specification

NINGBO DEYE INVERTER TECHNOLOGY CO., LTD.

Add: No.26-30, South Yongjiang Road, Beilun, 315806, Ningbo, China

Tel: +86 (0) 574 8622 8957

Fax: +86 (0) 574 8622 8852

E-mail: wutz@deye.com.cn

Web: www.deyeinverter.com

Ver: 1.3, 2020-04